

Product Specification

The Aquafil Remote Chiller is an electric refrigerate water chiller unit. The product has a chilling capacity of 30 litres per hour of 10°C drinking water, based on 27°C inlet water and an ambient temperature of 32°C.

The Remote Chiller can be installed directly under the drinking water station or may be placed in a service area of up to 5 meters from the bubbler.

Standard Features

- Easily converts any drinking water station into a water cooler
- Provides chilled drinking water
- Designed to service one station
- Installs directly under the fountain, in a cupboard or wall space or within five meters of the unit. The unit can be installed outdoors as long as it is in a weatherproof housing
- Compact, highly efficient water chiller units are designed for use where large quantities of chilled water are required.

Technical Details

Cabinet	Rust-resistant galvanized steel
Compressor	Hermetically-sealed, reciprocating type, single phase. Sealed-in lifetime lubrication.
Condenser	Fan cooled. Fan motor is permanently lubricated.
Cooling Unit	Combination tube-tank type. Continuous coppertubing which is fully insulated with EPS foam that meets UL requirements for self-extinguishing material.
Refrigerant Control	Refrigerant R134a is controlled by accurately calibrated capillary tube.
Temperature Control	Easily accessible enclosed adjustable thermostat is factory preset. Requires no adjustment other than for altitude requirements.
Model	AQ-RC
Voltage / Hertz	220V / 60 Hz
Chilling ** Capacity	30.28 LPH
F.L. Amps	2.2
Rated Watts	370
Approx. Ship Wt.	19 kg

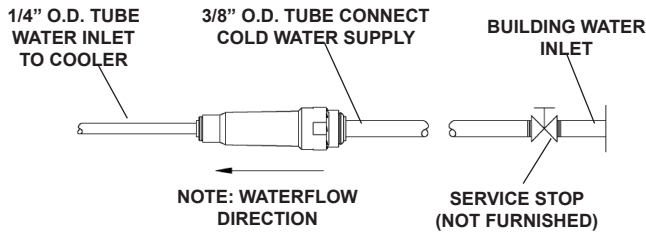


Warranty: 5 year limited warranty on the unit's refrigeration system. Electrical components and water system are warranted for 12 months from date of installation or 18 months from factory shipment, whichever date falls first.

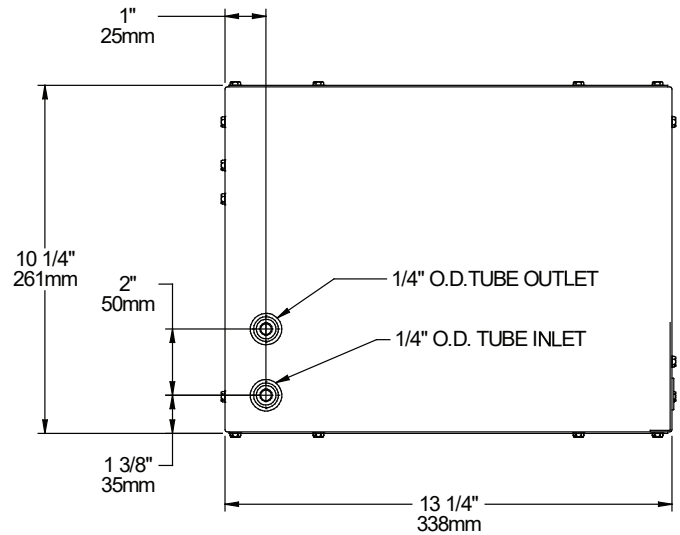
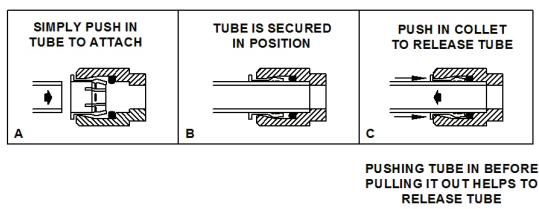
*Unless installed in the CIVIQ Remote Chiller housing

**Based on 10°C inlet water & 27°C ambient air temp for 10°C chilled drinking water.

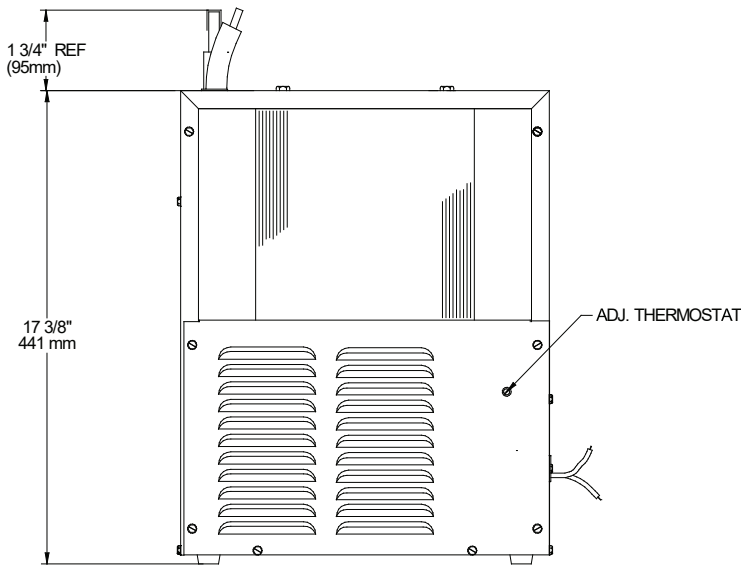
++Complies; not third party certified.



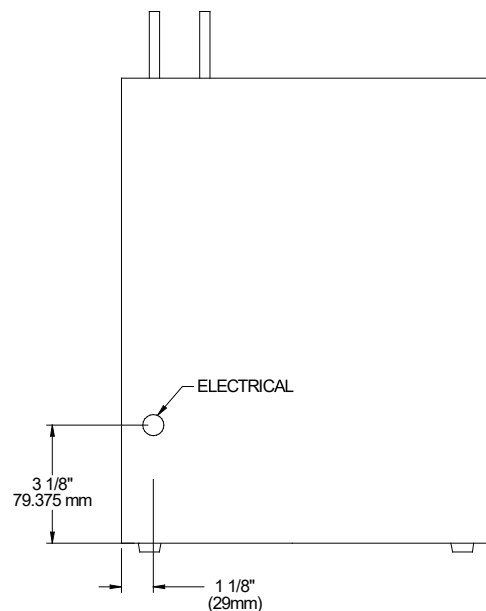
OPERATION OF QUICK CONNECT FITTINGS



TOP VIEW



FRONT VIEW



SIDE VIEW

NOTE: When mounting unit in an open area, to ensure proper ventilation, maintain a 102mm clearance from cabinet louvers on each side of cooler. When mounting unit in a cavity or behind a wall, maintain minimum space of 102mm on each side, 102mm on the top and a depth of 305mm.