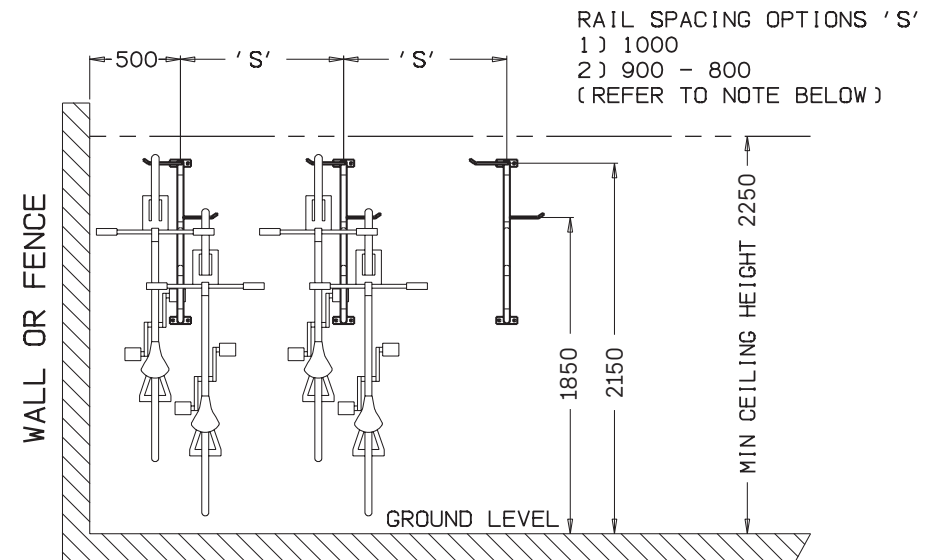


Plan view



Elevation view, from A