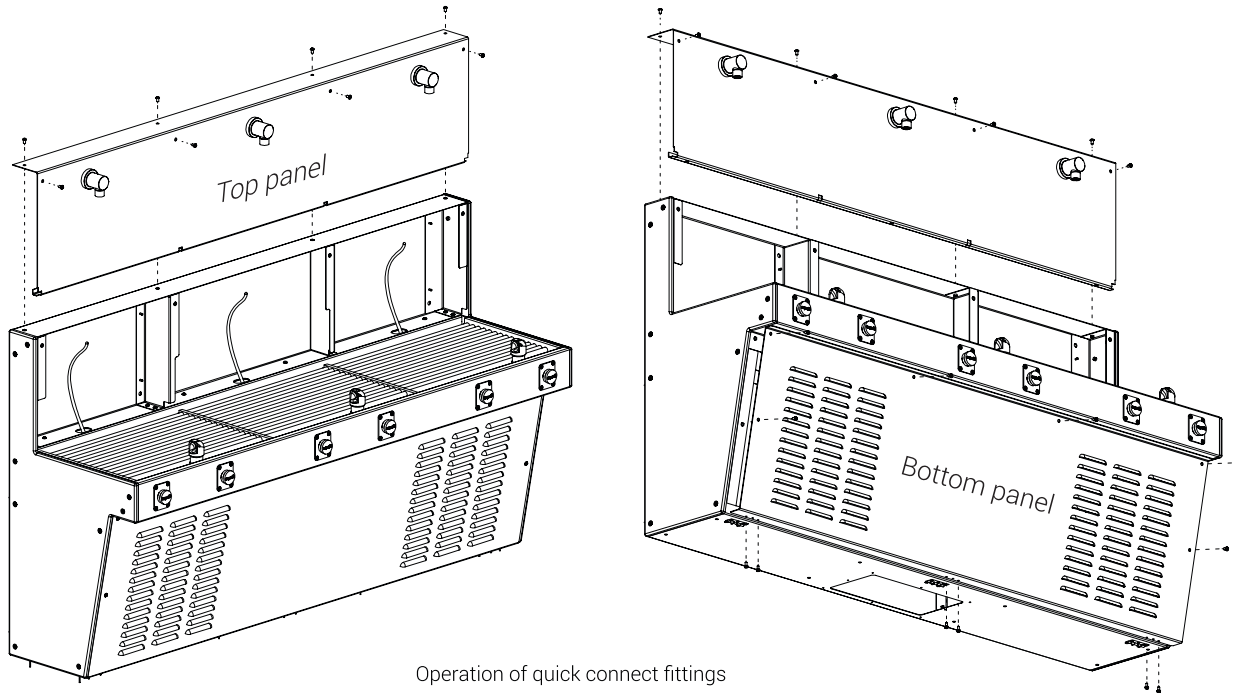
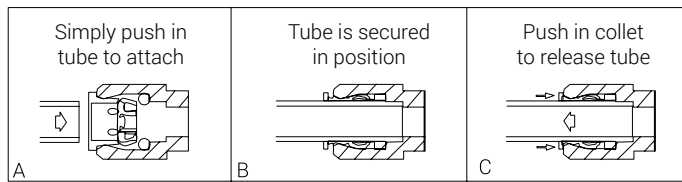


**Step 1.**

Remove the top and bottom panels by unscrewing all M6 screws and M5 screws for the hinges. When removing the Top Panel disconnect hoses from the bottle refill nozzles.



Operation of quick connect fittings

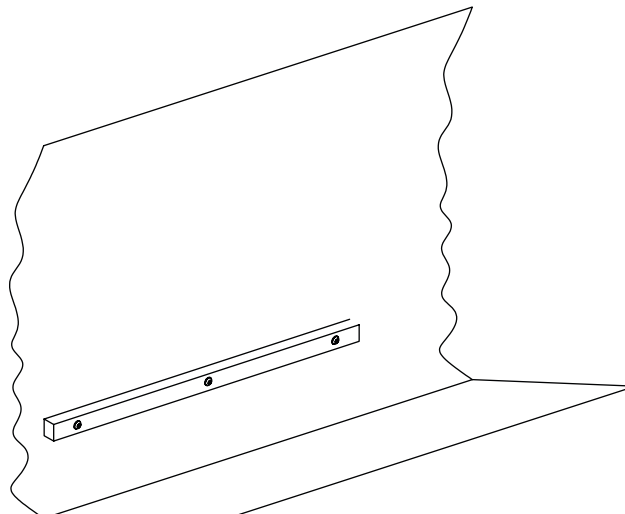


Pushing tube in before pulling it out helps to release tube

**Step 2.**

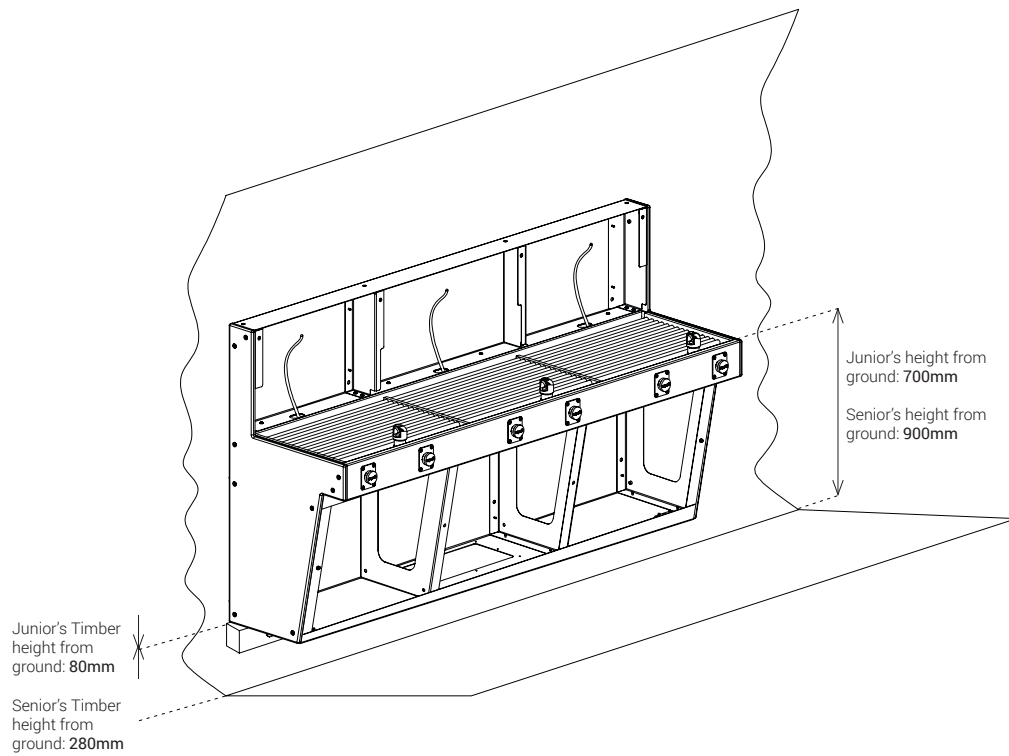
Screw a timber support to the wall. This will assist you in resting the Hydrobank unit while you mark out the holes for the mounting screws. Make sure the timber is level.

See Step 3 for heights of timber.



**Step 3.**

NOTE: Junior and Senior have different heights

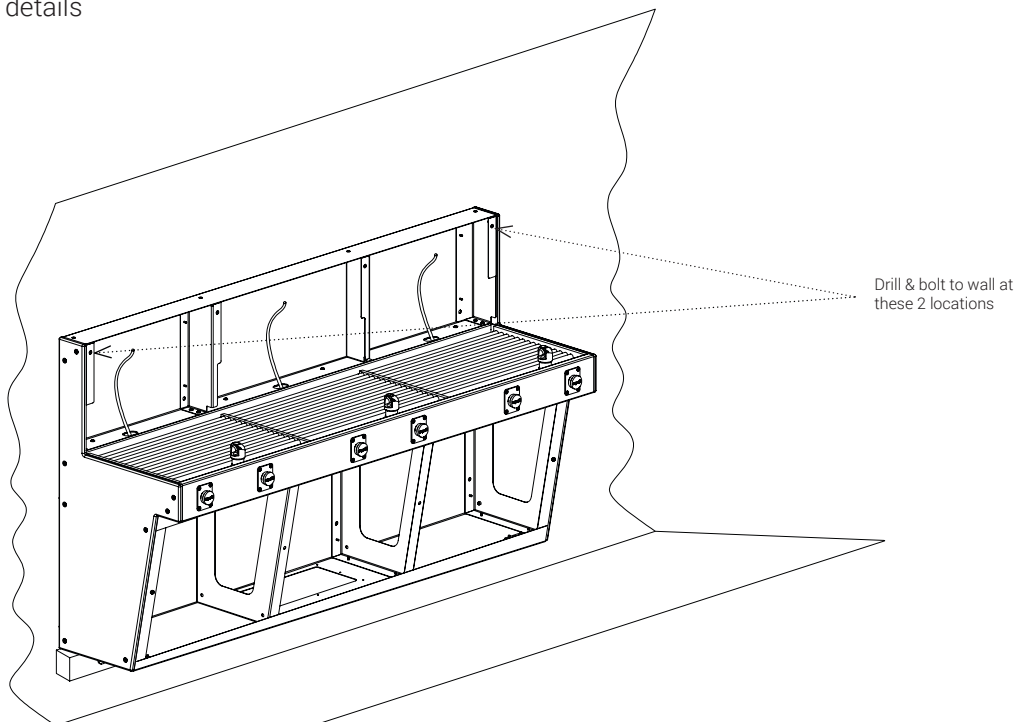


**Step 4.**

NOTE: The following is a two-man operation.

Place unit on pre-fixed timber support. Drill & bolt to wall at 2 locations to hold the unit in place to enable drilling of all screw holes.

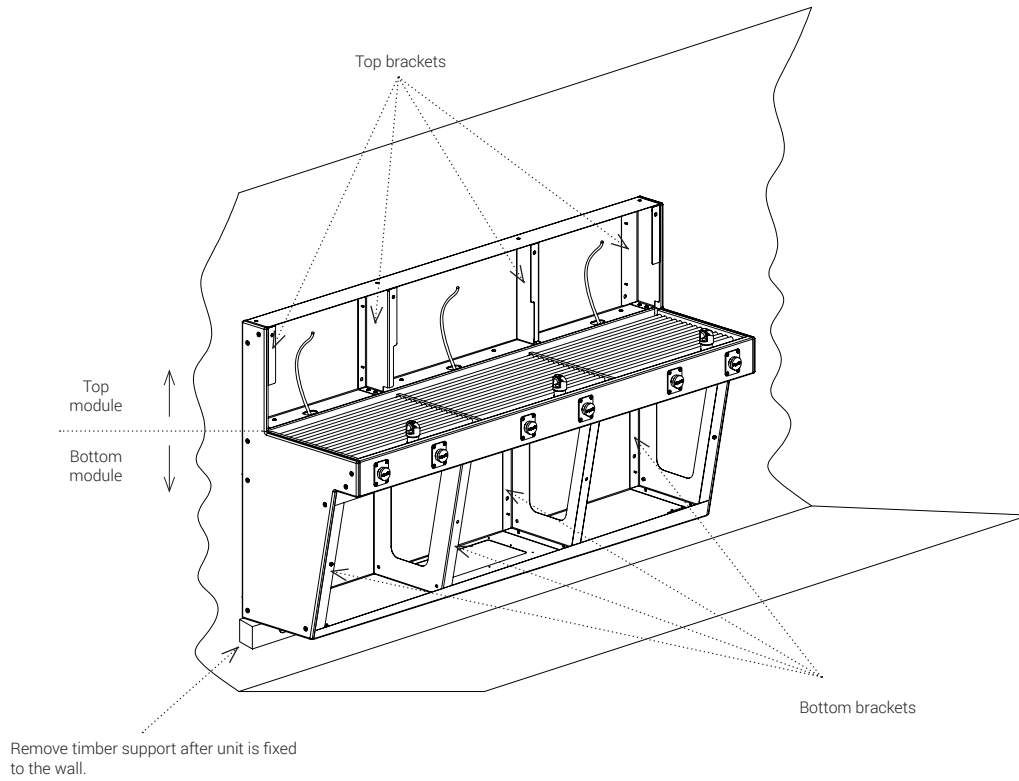
See step 5 for fixing details



### Step 5.

Remove timber support after the unit is fixed to the wall.

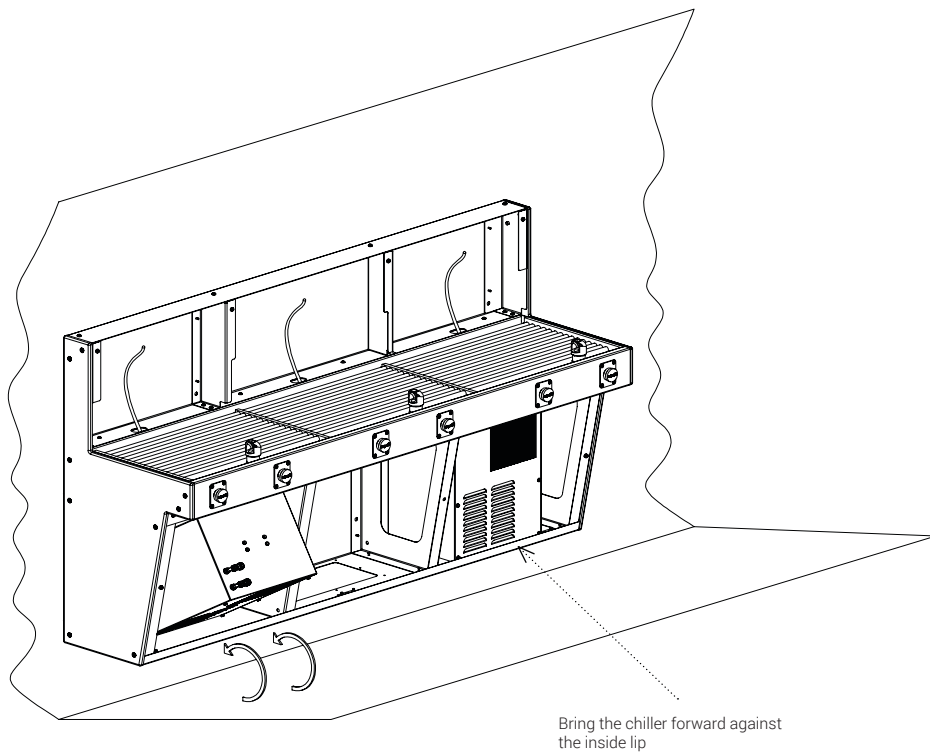
NOTE: - Minimum fixings to the top wall is 4 bolts at the top module ( 1 bolt per bracket)  
- Minimum fixings to the wall is 8 bolts at the bottom module ( 2 bolts per bracket)



### Step 6.

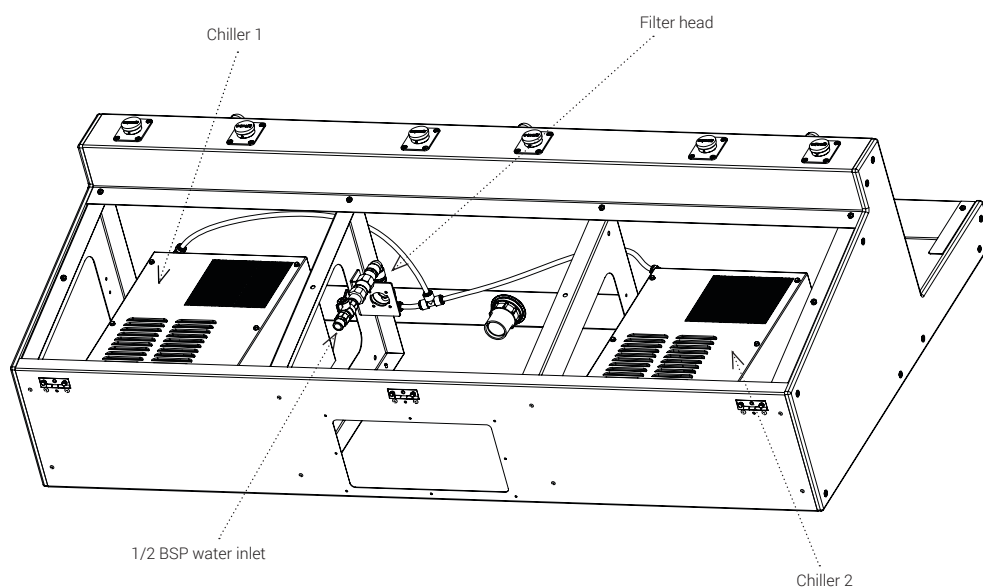
For chiller option: Place the chiller at approximately 50° angle then pull bottom forward and push top back as shown by the arrows, until unit is upright.

NOTE: For water connection details please see chiller installations for more details



### Step 7.

Water connection details: Connect water to chiller 1 and chiller 2 and connect filter head. (for filter models only) before connecting to water mains.



### Step 8.

Connect the hoses to the bottle refill nozzles, fit Top Panel then put screws back on. Put the Bottom Panels back on after connection of hoses.

NOTE: Ensure that there is no leaks before fitting the Bottom Panel.

